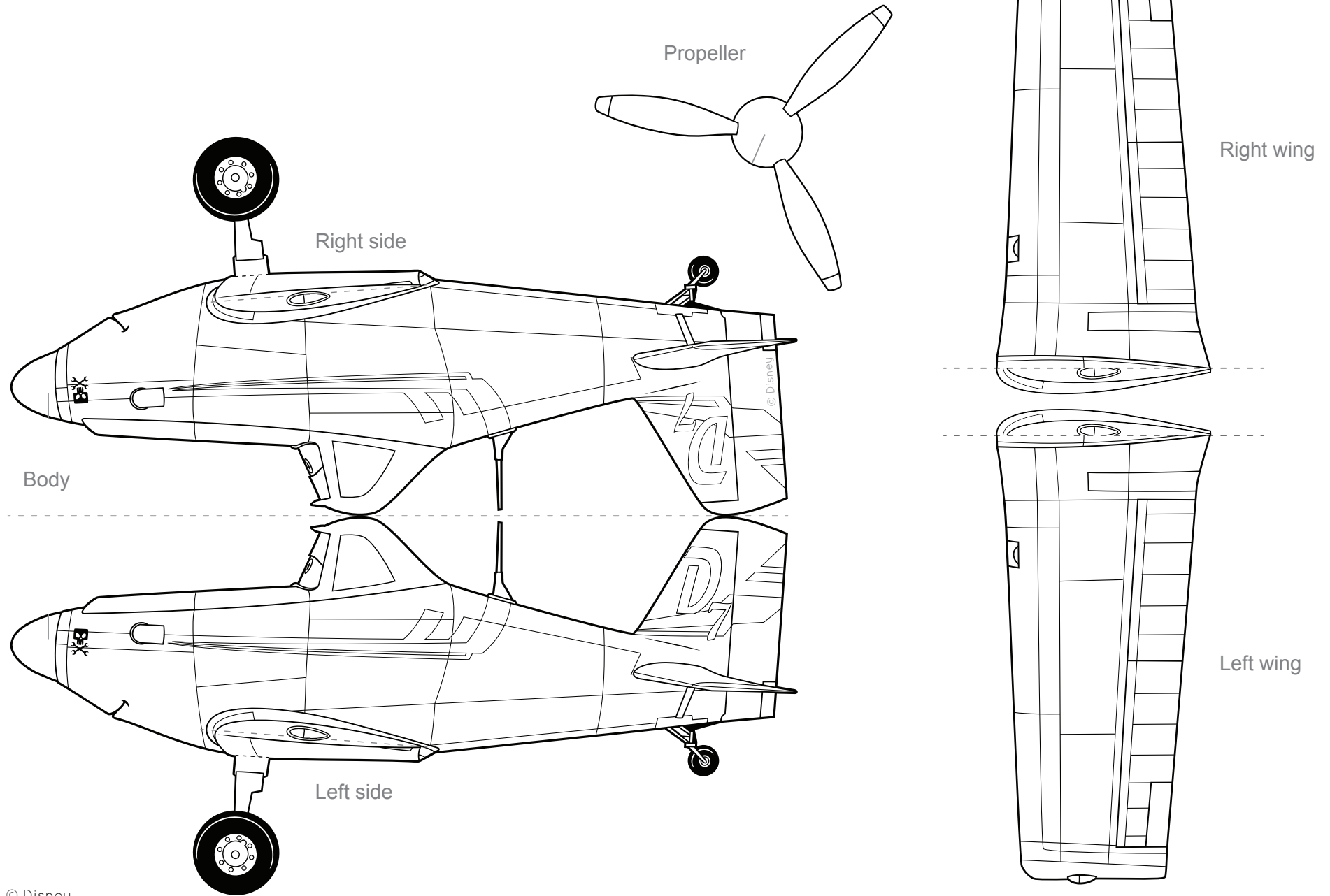




Disney's Planes Color-in Dusty Crophopper Model





Disney's Planes Color-in Dusty Crophopper Model

Instructions

1. Color in your plane parts based on the color reference image below.
2. Cut around the entire body shape and fold down the black center fold line. Fold the front landing gear out towards yourself so the legs stick around 45 degrees. Then glue or tape the rest of the body together.
3. Cut along the gray slit on Dusty's nose and cut the gray slit on the propeller. Slide them together so the propeller rests perpendicular to the body.
4. Fold the inner wing tabs and glue or tape the folded wing on the corresponding side's gray dashed line.
5. Now hang or tape string or thread to the top of Dusty's head and put him on display for everyone to see!



Dusty color reference