

RECREATE THE MAGIC IN YOUR OWN HOME!

NEVER LAND SHADOWBOX THEATER

Featuring character cut-outs of Peter, Tink, Captain Hook, Wendy, Croc

WHAT YOU'LL NEED

- Large cardboard box in the size you'd like
- Scissors or a box cutter (ask an adult to complete this portion)
- Wax paper or white cloth (a handkerchief or a piece of an old sheet)
- An unshaded lamp or flashlight
- Tape
- Several pencils or popsicle sticks
- Crayons, markers or construction paper for decoration

BUILD YOUR SHADOW THEATER

- 1: Find an empty cardboard box in the size you'd like.
- 2: Draw a line within 2 inches around one of the sides of the box (fig. 1)
- 3: Ask an adult to cut along this line to create your screen.
- 4: Cut along the bend to remove the top, bottom & opposite side of box, leaving the two sides to fold out as wings (fig. 2)
- 5: Ask an adult to cut a piece of wax paper, white cloth (a handkerchief or a piece of an old sheet), big enough to cover the opening in the frame. Use masking tape to attach this tightly to the back side of the screen (fig. 3)
- 6: Position your screen on a table edge and set up an unshaded light behind the screen. (fig. 5)
- 7: Ask an adult to cut out provided shadow puppet shapes. Attach a popsicle stick or pencil (with tape) to the the back of the cutout for the puppeteer to hold and move the character.

PRESENT YOUR SHADOW SHOW:

Drape a tablecloth over the table front to hide your activity from the audience.

Place an unshaded lamp or flashlight on a chair behind the puppeteer area as shown. Puppeteers sit or kneel on the floor behind the screen to operate your puppets.

Hold your puppets between the light and the screen and the audience will see the shadows that you create on the other side.

If possible, turn out other unnecessary room lights to help the audience focus on the puppets actions on-screen.

Create additional scenery – trees, mountains, the pirate ship, Big Ben etc., to tell your stories

Stage your own adventure with any combination of these characters.

- Help Wendy find Peter's Shadow
- Peter rescues Tink from Captain Hook
- Tic Toc Croc nearly catches Captain Hook

<see next page for your shadowbox character cutouts>

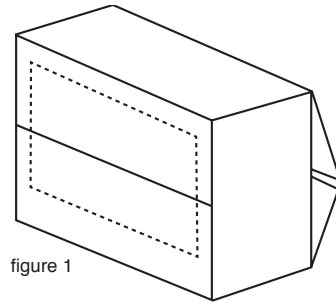


figure 1

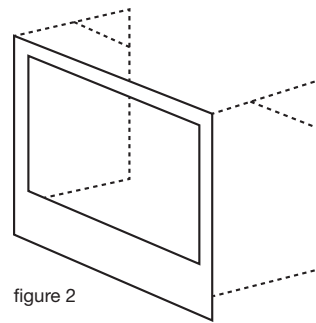


figure 2

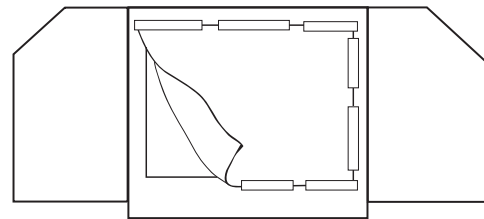


figure 3 (rear construction)

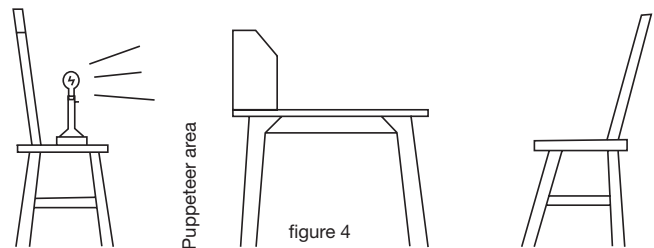
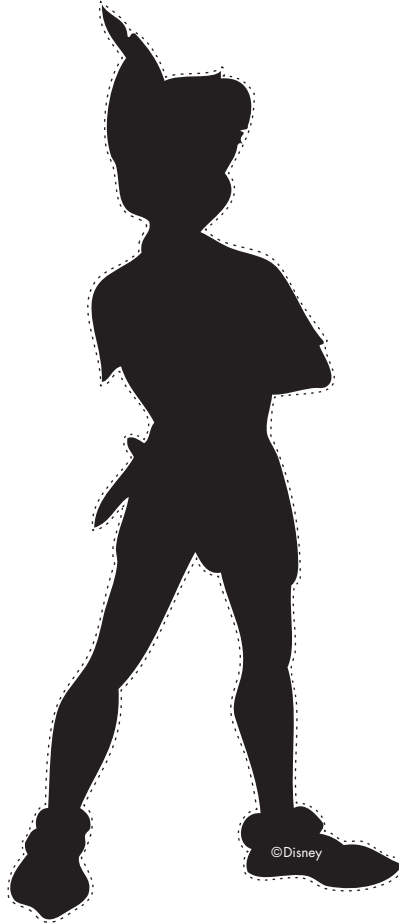
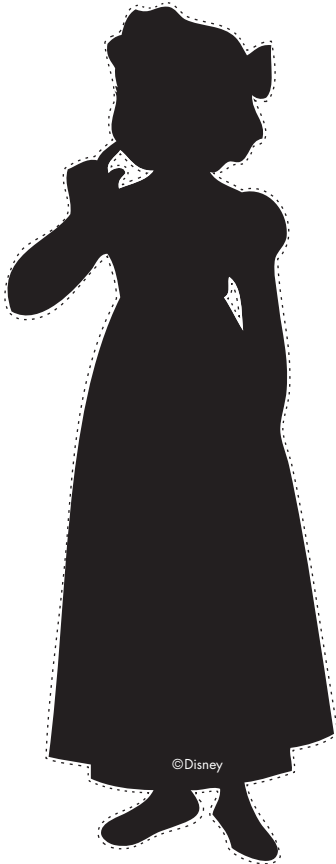


figure 4



Blu-ray™ Combo Pack and HD Digital on February 5th



NEVER LAND SHADOWBOX THEATER
Character Cutouts



**Blu-ray™ Combo Pack and
HD Digital on February 5th**